



ECO-PROJECT

**Special projects for all industry sector,
from design to large scale production.**





“Every year we invent new ways to give a second life to thousands of tons of secondary raw materials from end-of-life tires”

Marco Ferramini

Who we are

CASEI ECO-SYSTEM is an ever-growing innovative and dynamic company that develops high-level products since 2003, starting from a small big idea: only those who produce with the environment in mind also think about the future.

CASEI ECO-SYSTEM is the market leader in the manufacturing of products made with recycled rubber from end-of-life tires. In fact, the main objective is the revaluation of secondary raw materials.

With twenty years of experience and two production plants located in northern and central Italy, the company is committed to continuous investments both in product innovation and in the production process. In 2023 alone **CASEI ECO-SYSTEM** has revalued over 8,000 tons of tires otherwise destined for destruction.

From the use of this material, we obtain highly competitive products which include flooring and equipment for gyms, rolls for soundproofing, urban furniture, elements for road safety and special products upon customer's request.

The CASEI ECO-SYSTEM factory in Molino dei Torti (AL)

The historical plant of **CASEI ECO-SYSTEM** in Molino dei Torti is one of the most innovative in the world in the sector in which we operate. It uses the most advanced technologies available nowadays, completely designed within the company and putting to use the know-how gained in over 20 years of activity.

In the Molino dei Torti factory we produce several products for multiple applications, among which the most important ones are the flooring for sports, amateur and professional use, flooring for playgrounds, anti-vibration products and products for urban furniture.

Thanks to the expertise and experience of our entire team, we are among the market leading companies in many of these sectors.

The total covered area between production, offices and warehouses is over 7,000 m². In particular, the warehouse is equipped with over 700 pallet spaces to provide an adequate advanced logistics service to our customers, all in a total area of over 74,000 m².

The plant can be defined as "zero impact" on the environment, as all waste material is reused.

Factory in Molino dei Torti (AL)





We firmly believe in what we do,
Because one thing is talking about the environment
Another is putting it at the center of everything



The CASEI ECO-SYSTEM factory in Monteprandone (AP)

CASEI ECO-SYSTEM firmly believes in the use of recycled rubber.

For this reason, since 2022 it has opened its second Italian production plant in Monteprandone, whose main operation is the production of rolls and sheets from recycled rubber, intended for different sectors, of which the most important are construction, acoustics and professional sports flooring.

Thanks to this new, highly technological factory, **CASEI ECO-SYSTEM** has significantly expanded its range of products and production capacity.

The new factory is equipped with innovative and cutting-edge technologies, highly automated production lines in order to guarantee the quality and the compliance with the strict technical and performance characteristics that have always distinguished the products made by the **CASEI ECO-SYSTEM** brand.

In an increasingly global market, parallel to the quality of the product, that of the packaging must be aligned; to support this idea, **CASEI ECO-SYSTEM** has made significant investments in its packaging line, as well as in the storage area, to offer its customers the possibility of making use of just-in-time deliveries for the most common sizes.

From a long-term perspective, with the opening of the second factory in Monteprandone, in the province of Ascoli Piceno, **CASEI ECO-SYSTEM** acquires greater flexibility in terms of production capacity and quality and adds an important asset in completing the range of its production.

This is an important strategic development of the company, according to its values both in terms of quality and eco-sustainability, which have always characterized its products and its vision of the green economy.





Index

WHO WE ARE

Pag. **02**

ECO-PROJECT

Pag. **06**



ECO-PROJECT



THE ART OF DESIGNING YOUR SUCCESS

From design to mass production of the product through experience gained in more than two decades.



ECO-PROJECT

SPECIAL PROJECTS ON CUSTOMER SPECIFICATIONS

In the pursuit of innovative and sustainable solutions, **CASEI ECO-SYSTEM** stands out for its dedication to quality and attention to detail.

Right from the choice of materials, excellence is a must for us. Through strict testing and extensive research, we carefully select every component that will be used in our projects.

The same meticulous attention is paid to the projects that our Clients entrust to us. All our know-how, developed over more than twenty years dedicated to the processing of recycled rubber, is at your complete disposal to accompany you in the search for functional and high-performance solutions that fully meet your specific needs.

This meticulous care extends to every stage of the production process, guaranteeing our customers excellent results that fully meet their needs.

We will follow you step by step, from the development of the conceptual idea to the realization of the finished product. We will take care of every aspect, from prototyping to production management, to deliver to you a product that reflects your expectations in every detail.

We turn your ideas into successful **ECO-PROJECT**!

CASEI ECO-SYSTEM: your ideal partner for excellent **ECO-PROJECT**.

ECO-PROJECT

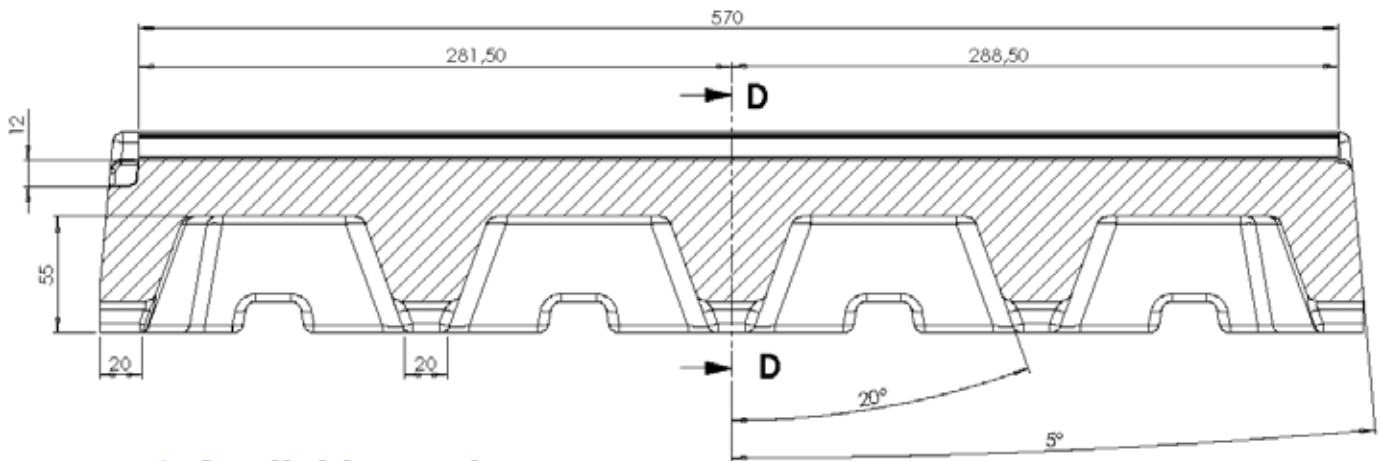


ECO-PROJECT

Where the impossible takes
shape with industrial spirit

”

Example of making a drawing mold for the production of a trim in recycled rubber



ECO-PROJECT

Available services

ECO-PROJECT service can be adapted to the specific needs of the client by going out and providing the necessary resources for project development where they are most needed.

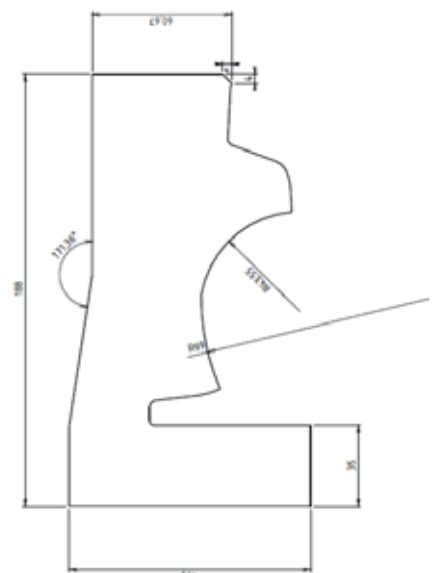
ECO-PROJECT is able to integrate with the client's technical department or to manage project development and industrial production independently.

Design phase:

- Analysis of the client's needs
- Concept development
- Technical design
- Prototyping

Implementation phase:

- Production management
- Quality control





Casei Eco-System srl
VAT Nr. 01971050065 - SDI J6URRTW



Factory n° 1
Via Sorelle Carena, 4
15050 Molino dei Torti (AL) Italy



Factory n° 2
Via dell'Industria, 50
63076 Monteprandone (AP) Italy



Headquarters
C.so Italia, 45
20122 Milano (MI) Italy

✉ export@caseiecosystem.com

✉ caseiecosystem@pec.it

🌐 caseiecosystem.com

☎ +39 0131 854022



Certificate IT18-35505A



Certificate IT22-26316B



Certificate IT22-26316C